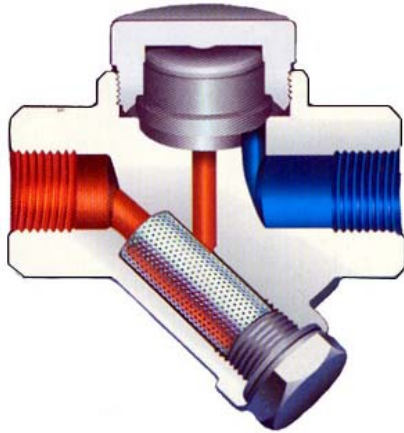




Thermodynamic Steam Trap Size 1/2"- 1" Screwed BSP.



Typical Applications

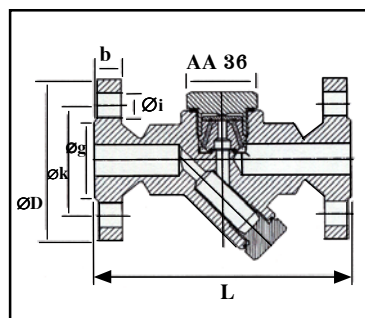
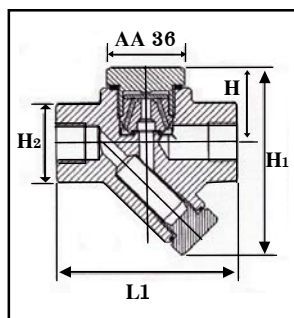
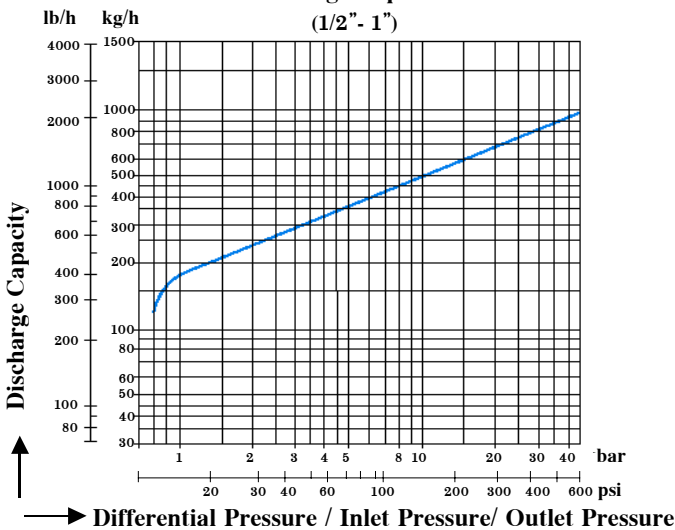
Drying Units / Pressing Units
Steam Jacket Pipelines / Iron Machines

Installation

The steam trap should be fitted on the line horizontally for proper working.



Discharge Capacities
(1/2" - 1")



DIMENSIONS

Size	L-L1	H-H1-H2	D	b	k	g	i	No.Holes
15	150-95	40-100-42	95	16	65	45	14	4
20	150-95	40-100-42	105	18	75	58	14	4
25	160-95	40-100-42	115	18	85	68	14	4

TDK 45

THERMODYNAMIC STEAM TRAP

Main Features

AYVAZ TDK 45 thermodynamic Steam Traps as well as the others are designed, manufactured and tested in accordance with the DIN standards and the relevant GERMAN regulations for steam boilers (TRD) and pressure vessels (AD). Maximum opposite pressure should not exceed 80% of front pressure. Internal parts are all stainless steel and the body is forged steel. Discharge according to the amount of the condensate. All spare parts are available and it is easy to maintenance. Strainer is "Y" type which is under the body and easy to clean when necessary.

OPERATING CONDITIONS

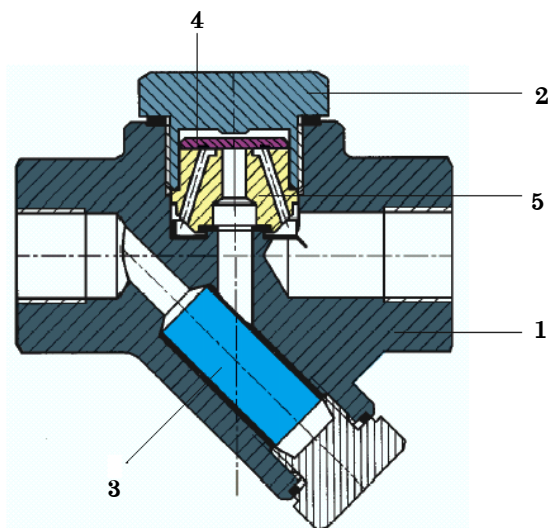
Max.Allowable Pressure PMA(bar)	65
Max.Allowable Temperature TMA (°C)	450
Max.Operating Pressure PMO (bar)	40
Max.Differential Pressure PMD (bar)	32
Max.Operating Temperature TMO (°C)	400

WEIGHTS

Connections	Flanged	Screwed	Socket weld
Sizes (mm)	15-20-25	1/2-3/4-1	1/2-3/4-1
Weights (kgs)	3.4-4.1-4.5	1.8-1.7-1.6	1.9-1.9-1.9

CONNECTIONS

		SIZES	
Screwed	NPT acc. to ANSI B1 20.1	inches	1/2"-3/4"
	BSP acc.to BS 21		
Socket weld	ANSI B 16.11	mm	15-25
Flanged	DIN 2533		
ansi 150# , 300# RF		inches	1/2"-3/4"



Materials

1 Body	Forged Steel ASTM A105
2 Cover	Forged Steel AISI 304
3 Strainer	* Stainless Steel
4 Disc	* Stainless Steel
5 Seat	* Stainless Steel

* Available spare parts